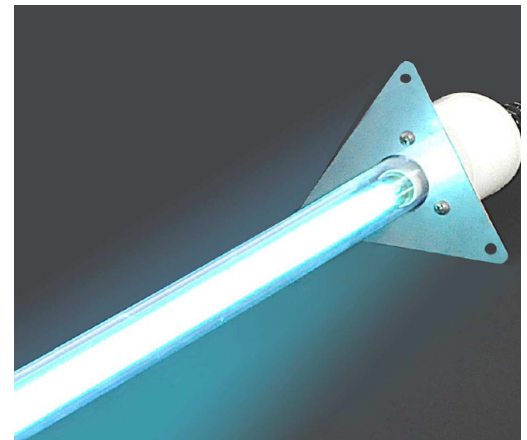


Germicidal UV-C Disinfection with IP 68 Protection

Key Features:

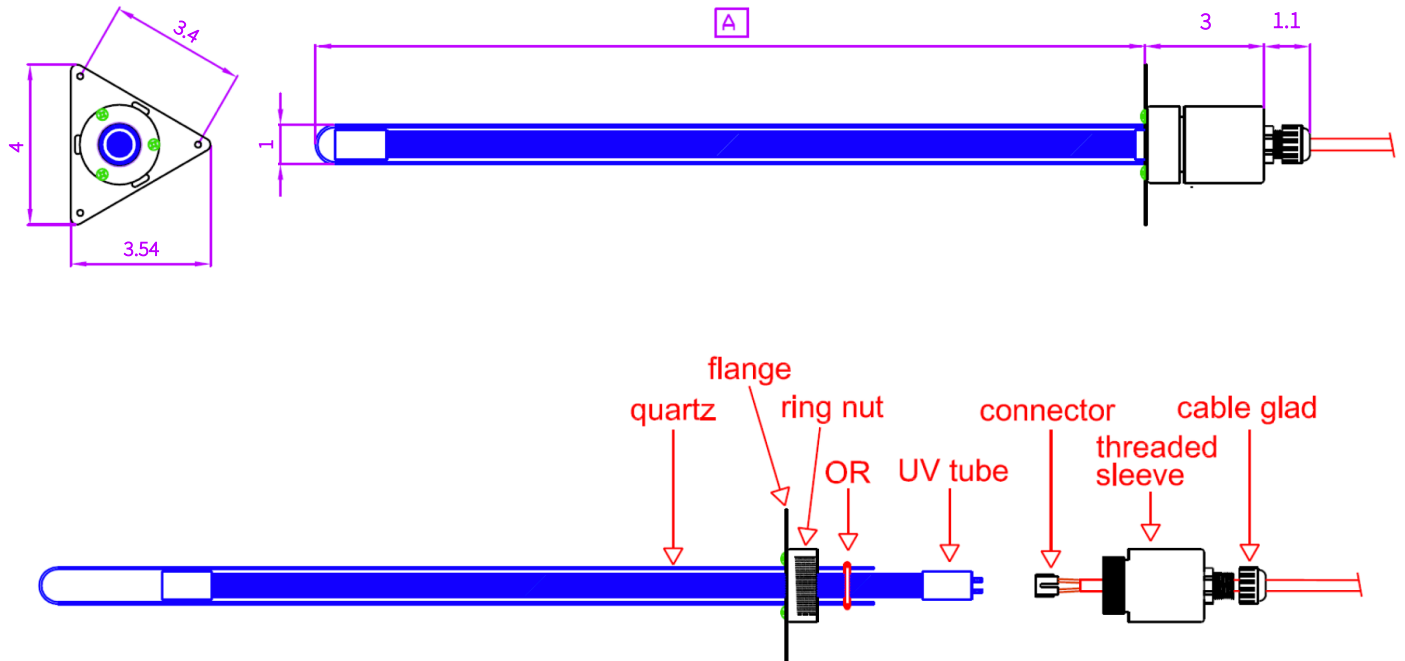
- Watertight and dust-tight IP68 protection (Class II)
- Selective high efficiency UV-C lamp (at 253.7 nm.)
- AISI 304 stainless steel flange
- Optimal for retrofit applications
- Easy to install drill and fill (5 min)
- All materials are tested for resistance to intense UV-C rays
- Powered by electronic ballasts specific for UV-C lamps
- Quartz sleeve protects the UV-C lamp
- UVLON PIPE sheath prevents broken glass fragments (optional)
- Complies with the noise standards of Directive 2006/42/EC
- Values measured according to UNI EN ISO 3746
- Non-detectable and non-transmissible vibration values
- Suitable for class 1 installations - protected areas



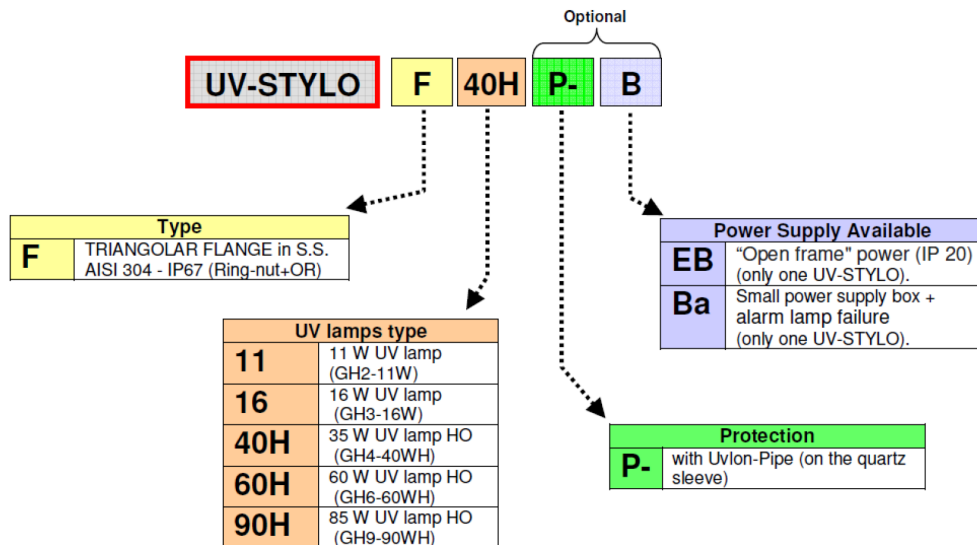
Specifications:

UV-STYLO-F	11	16	40H	60H	90H
Average Lamp Lifetime (hrs)	18,000	18,000	18,000	18,000	18,000
Consumption (W)	11	16	35	60	85
Lamp Length – “A” (in.)	9	12	17	22.8	35.1
Weight (lbs)	.8	1.1	1.5	1.7	2.4

Technical Drawings



Codes



Installation

To install, make a 1 1/8 inch (28.5mm) hole directly on the wall where you want to apply the product. Then, insert the unit through the hole and screw the AISI 304 stainless steel flange with three self-tapping screws (not provided). The UV-C lamp irradiates the inner surface at 360 ° and the plastic ring containing the electrical connections with the cable are outside.